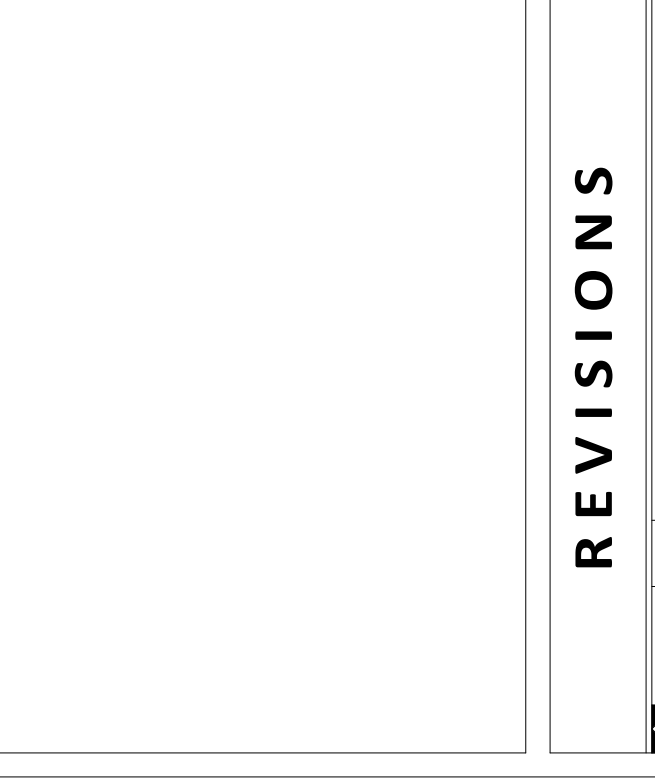


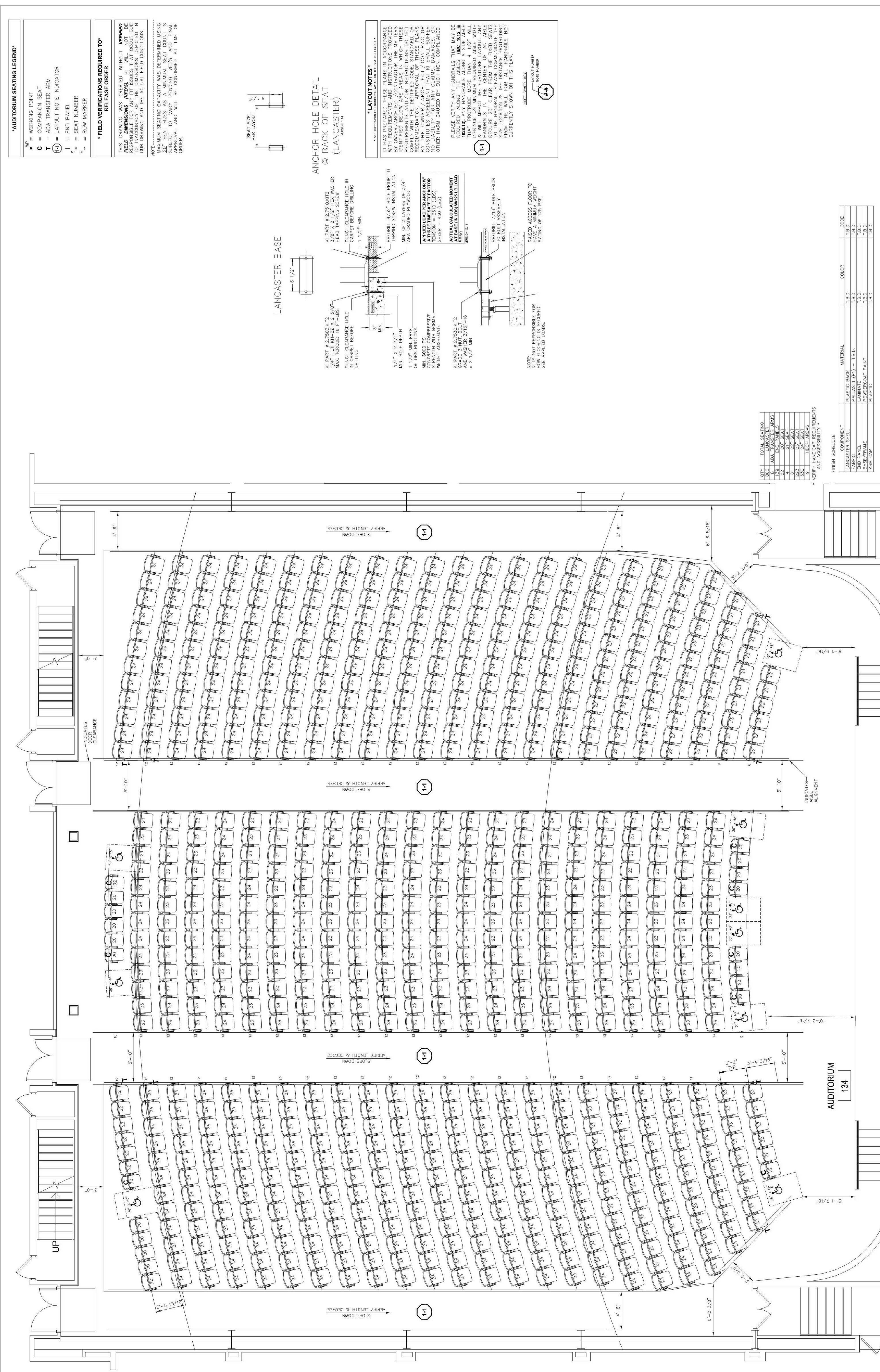
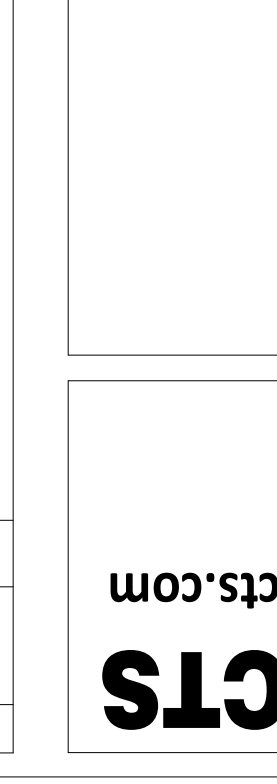
**\*AUDITORIUM SEATING LEGEND\***  
 WP = WORKING POINT  
 C = COMPANION SEAT  
 T = ADA TRANSFER ARM  
 L = LAYOUT NOTE INDICATOR  
 I = END PANEL  
 S = SEAT NUMBER  
 R = ROW NUMBER

**\*FIELD VERIFICATIONS REQUIRED TO\*  
 RELEASE ORDER\***  
 THIS DRAWING WAS CREATED WITHOUT VISITED FIELD DIMENSIONS (VPD'S). IT WILL NOT BE RELEASED FOR CONSTRUCTION UNTIL ALL FIELD VERIFICATIONS ARE COMPLETED AND THE DRAWING IS REVISIONED TO INCORPORATE THE DIMENSIONS DEPICTED IN OUR DRAWING AND THE ACTUAL FIELD CONDITIONS.  
 NOTE: DIMENSIONS ARE FOR INFORMATION ONLY. THE DRAWING IS SUBJECT TO VARY PERMITS, WEBS AND FINAL ORDER.  
 2D SEAT SIZES AS A MINIMUM. SEAT COUNT IS SUBJECT TO VARY PERMITS, WEBS AND FINAL ORDER.

**\*LAYOUT NOTES\***  
 1. SEE CORRESPONDING ANCHOR AND BASE DETAIL DRAWINGS.  
 2. THIS DRAWING WAS CREATED WITHOUT VISITED FIELD DIMENSIONS (VPD'S). IT WILL NOT BE RELEASED FOR CONSTRUCTION UNTIL ALL FIELD VERIFICATIONS ARE COMPLETED AND THE DRAWING IS REVISIONED TO INCORPORATE THE DIMENSIONS DEPICTED IN OUR DRAWING AND THE ACTUAL FIELD CONDITIONS.  
 NOTE: DIMENSIONS ARE FOR INFORMATION ONLY. THE DRAWING IS SUBJECT TO VARY PERMITS, WEBS AND FINAL ORDER.  
 2D SEAT SIZES AS A MINIMUM. SEAT COUNT IS SUBJECT TO VARY PERMITS, WEBS AND FINAL ORDER.



**\*LAYOUT NOTES\***  
 1. SEE CORRESPONDING ANCHOR AND BASE DETAIL DRAWINGS.  
 2. THIS DRAWING WAS CREATED WITHOUT VISITED FIELD DIMENSIONS (VPD'S). IT WILL NOT BE RELEASED FOR CONSTRUCTION UNTIL ALL FIELD VERIFICATIONS ARE COMPLETED AND THE DRAWING IS REVISIONED TO INCORPORATE THE DIMENSIONS DEPICTED IN OUR DRAWING AND THE ACTUAL FIELD CONDITIONS.  
 NOTE: DIMENSIONS ARE FOR INFORMATION ONLY. THE DRAWING IS SUBJECT TO VARY PERMITS, WEBS AND FINAL ORDER.  
 2D SEAT SIZES AS A MINIMUM. SEAT COUNT IS SUBJECT TO VARY PERMITS, WEBS AND FINAL ORDER.



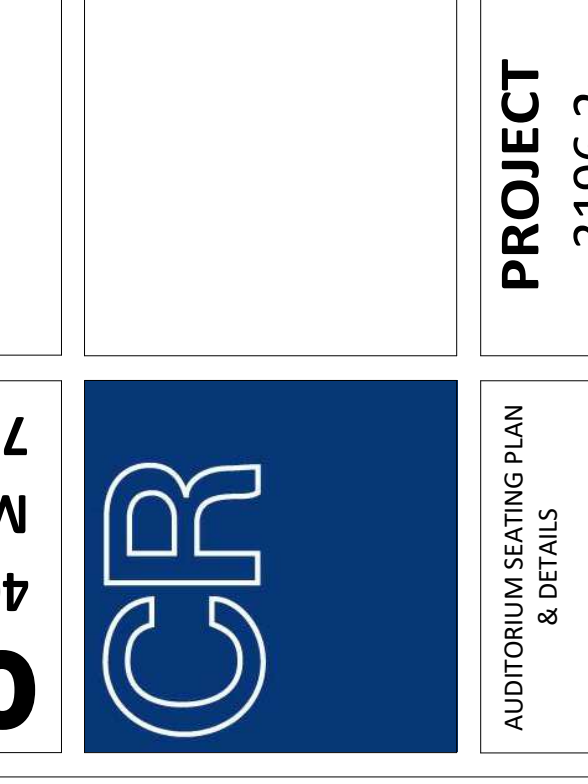
1 SEATING LAYOUT  
 1/4" = 1'-0"

FINISH SCHEDULE

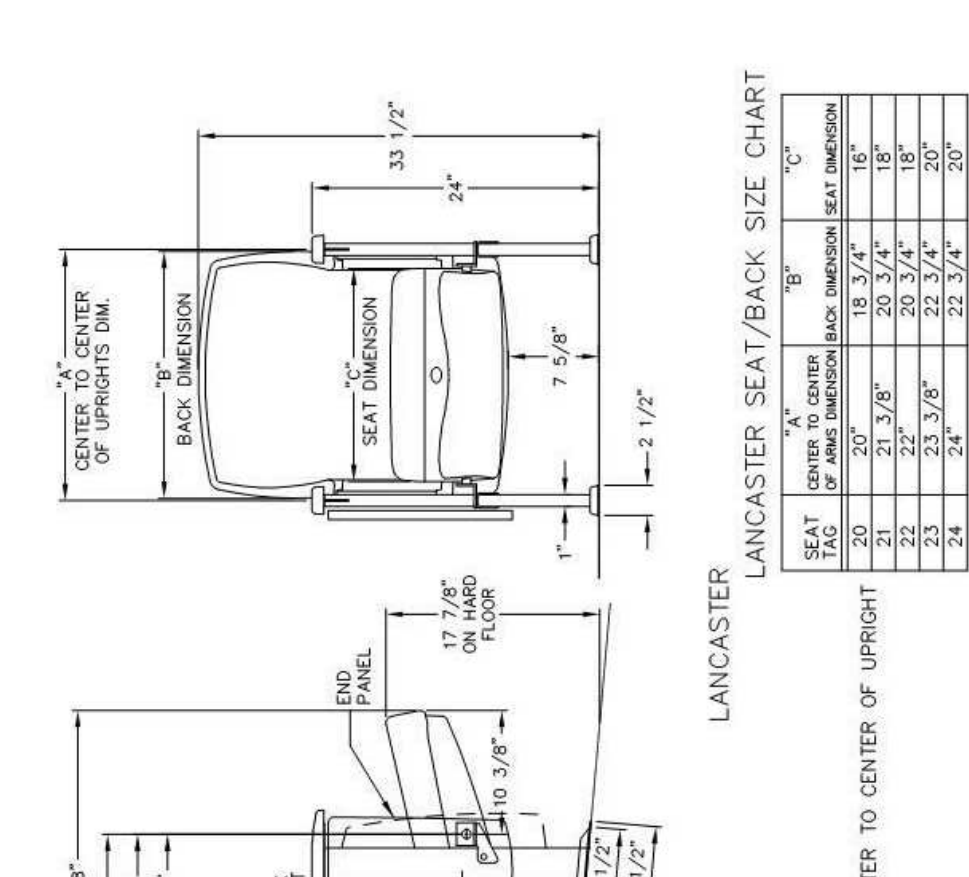
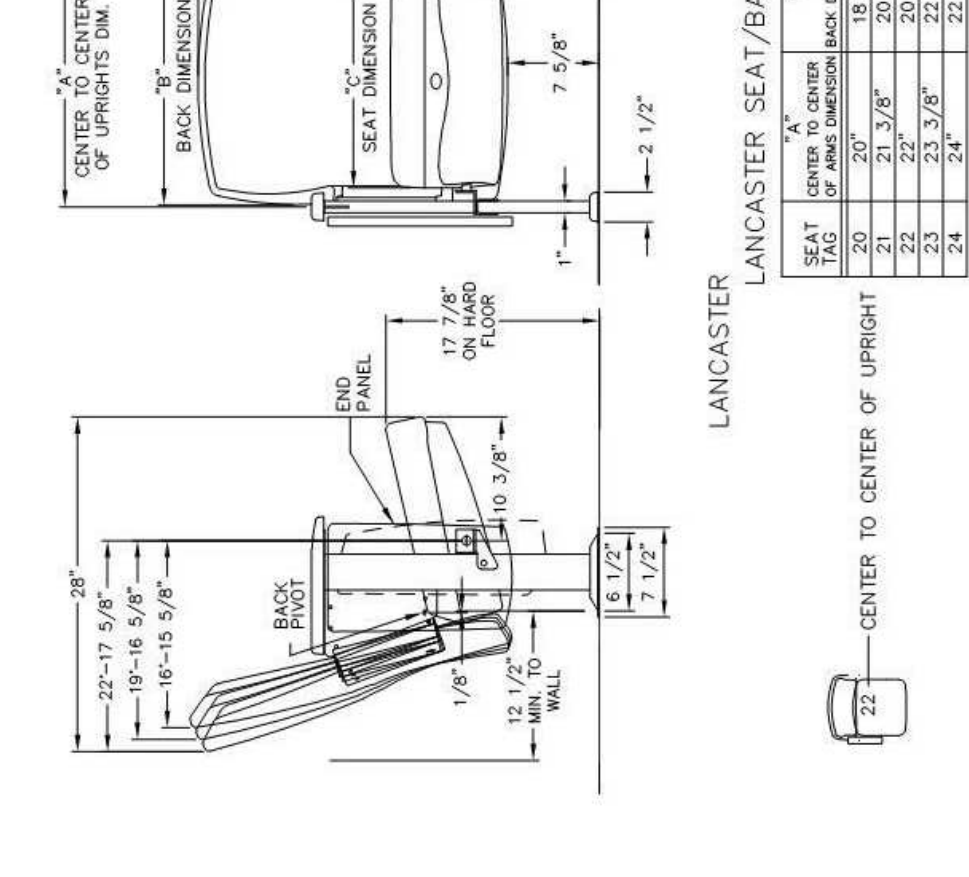
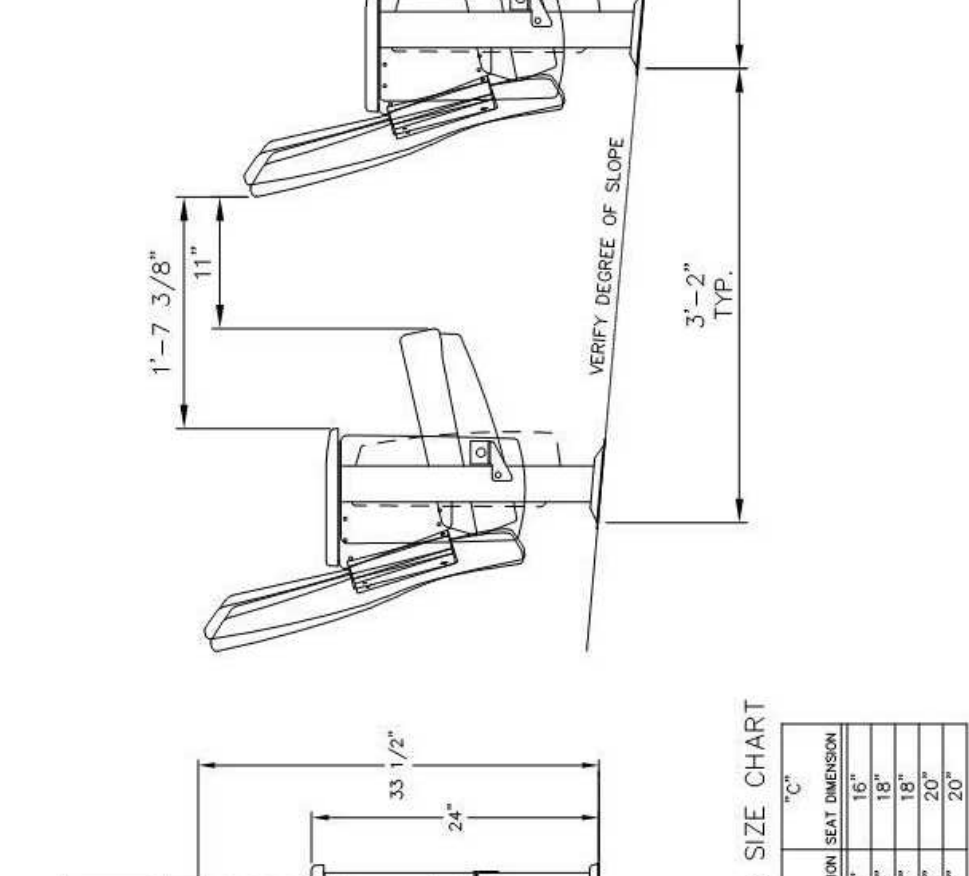
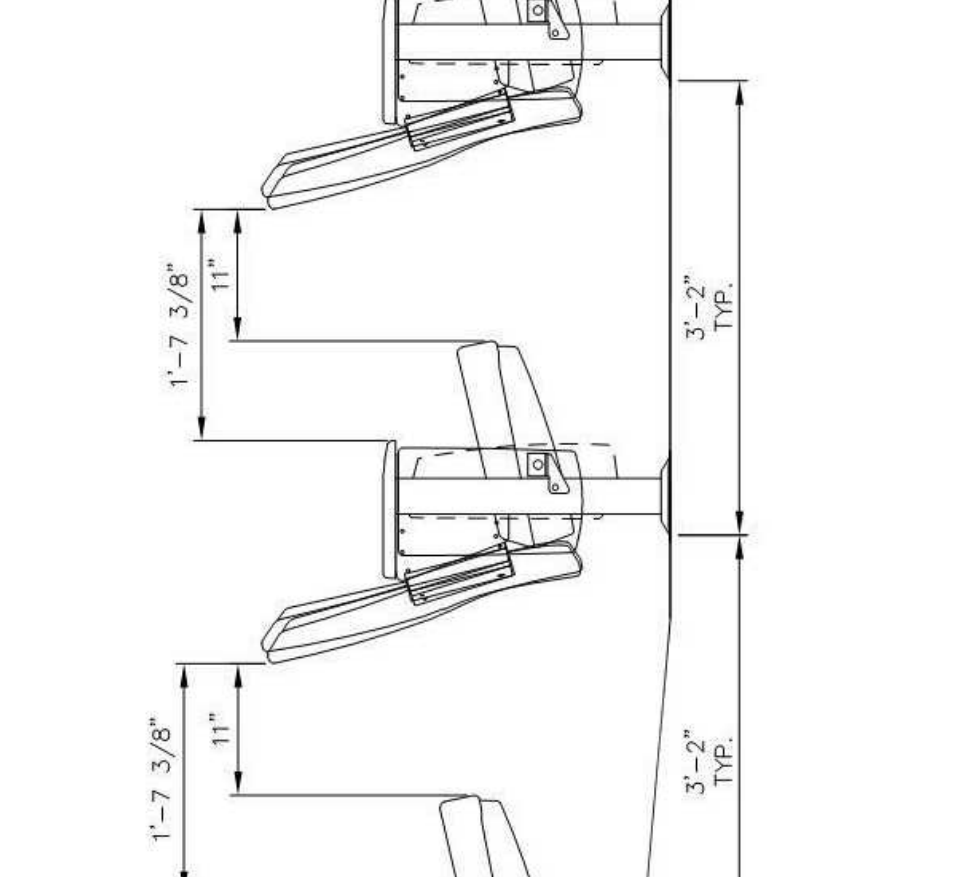
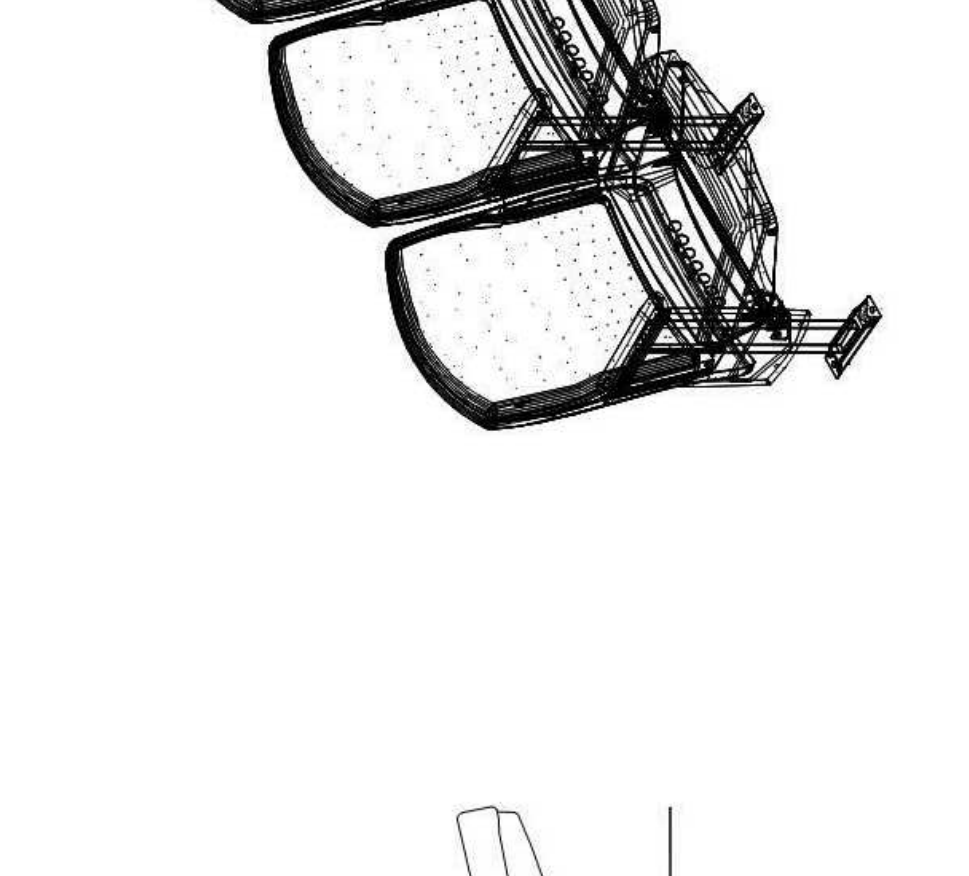
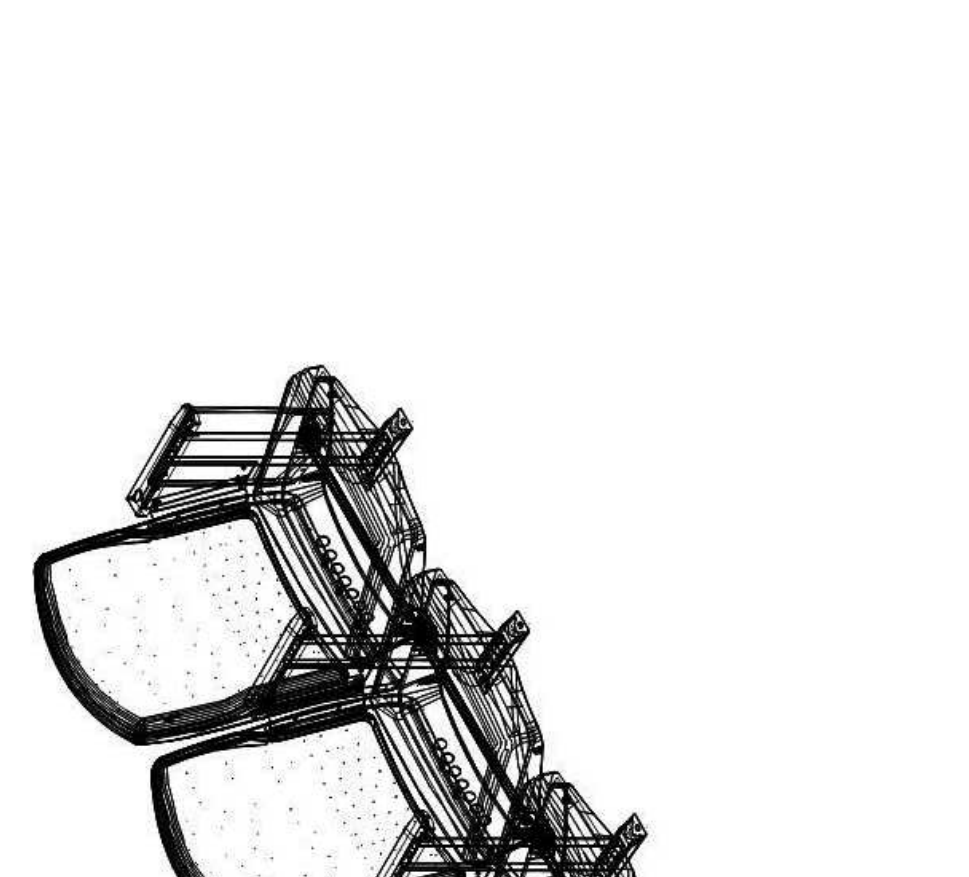
ITEM	DESCRIPTION	MATERIAL	FINISH	COLOR	CODE
1	LANCASTER SEAT	PLASTIC	BLACK		1. E.D. T.E.D.
2	LANCASTER SHELL	PAINT	BLACK		1. E.D. T.E.D.
3	LANCASTER BASE	PAINT	BLACK		1. E.D. T.E.D.
4	LANCASTER FRAME	PAINT	BLACK		1. E.D. T.E.D.
5	LANCASTER BACK	PAINT	BLACK		1. E.D. T.E.D.
6	LANCASTER ARM	PAINT	BLACK		1. E.D. T.E.D.
7	LANCASTER LEG	PAINT	BLACK		1. E.D. T.E.D.

FINISH SCHEDULE

ITEM	DESCRIPTION	MATERIAL	FINISH	COLOR	CODE
8	LANCASTER SEAT	PLASTIC	BLACK		1. E.D. T.E.D.
9	LANCASTER SHELL	PAINT	BLACK		1. E.D. T.E.D.
10	LANCASTER BASE	PAINT	BLACK		1. E.D. T.E.D.
11	LANCASTER FRAME	PAINT	BLACK		1. E.D. T.E.D.
12	LANCASTER BACK	PAINT	BLACK		1. E.D. T.E.D.
13	LANCASTER ARM	PAINT	BLACK		1. E.D. T.E.D.
14	LANCASTER LEG	PAINT	BLACK		1. E.D. T.E.D.



1 3D SAMPLE  
 3/4" = 1'-0"



1 ELEVATION  
 3/4" = 1'-0"